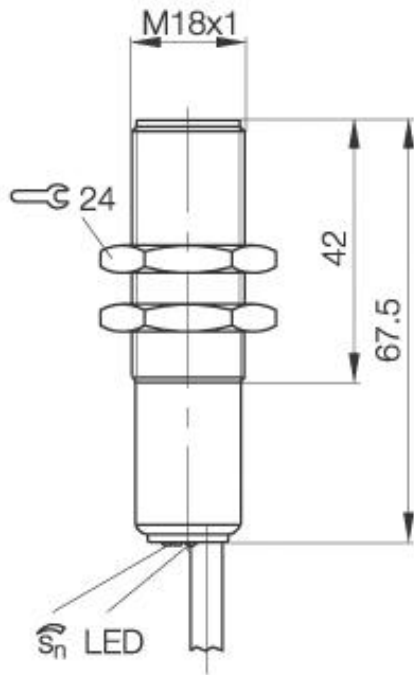


Photoelectric Sensor
BOS 18M-PS-1PD-E4-C-03
Sn=400mm
Diffuse



PX0059

Common Data

Series	18M
Sensortype	Diffuse
Switching frequency	100 Hz
Rated operating distance Sn in mm	400
assured operating distance Sa	adjustable
Repeat accuracy	< 5% from Sn
Hysteresis	< 25%
Indication Supply Voltage	no
Indication Switching element on	yes
Indication Special funktion	no
Ambient temperature	-5...+55°C
On-delay	< 5ms
Off-delay	< 5ms
Light	Infrared
Sensitivity Adjustment	Poti
Blind zone / min Reflector distance	5mm
Permissable ambient light	2000 Lux
Output function	light-on

Mechanical Data

Measurements	M18x67,5
Shock	Halfsinus, 30gn, 11ms
Vibration	10...55Hz, 1,5mm Amplitude 3x2h
Housing material	nickel plated brass
Material of sensing face	PMMA
Degree of protection	IP67
Connection	Cable
Type of Cable	PVC

Electrical Data

Current	DC
Switching function	normally-open
Output	PNP
Rated operational voltage Ue	24V DC
Rated operational current Ie	200mA
Supply Voltage	10...30V DC
Ripple	< 10% from UB
Frequency of Supply Voltage	DC
Voltage drop	<2,5V
Short protection	yes
Protected against polarity reversal	yes
Rated insulation voltage	250V DC
Output resistance	33kOhm
max. Load capacity	1µF



Utilization categories
 Insulation class

Datasheet number:

Definitions see general catalog.
 If not otherwise noted, ratings according to
 IEC 60947-5-2 (DIN EN60947-5-2)

Balluff GmbH
 Schurwaldstrasse 9
 73765 Neuhausen a.d.F.
 Phone (07158) 173-0 Fax (07158) 5010

Datenblatt by CD-ROM - 04/2007

